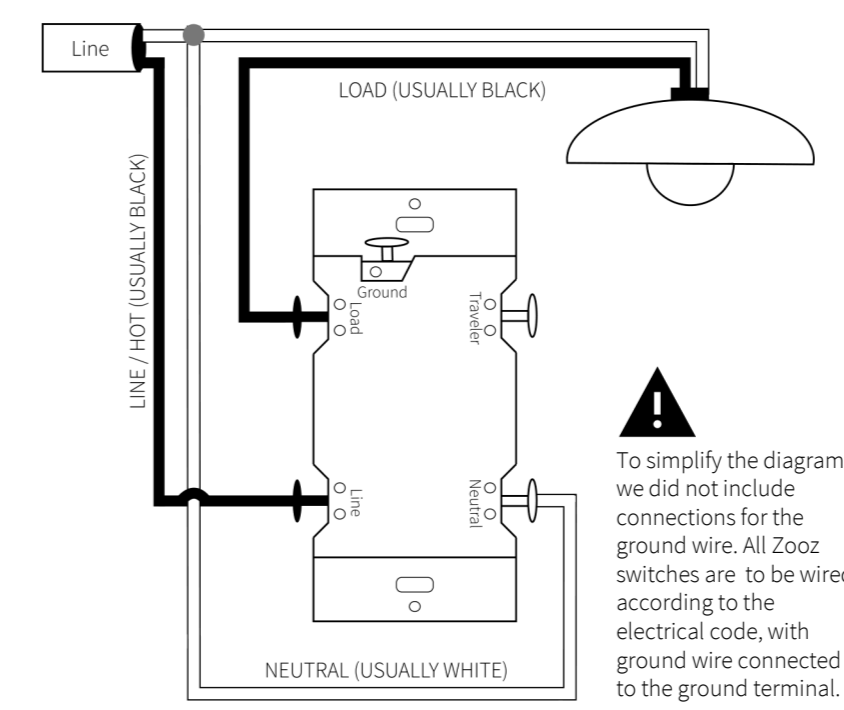


NOT CONNECT TO CEILING FANS, MOTORS, OR HOME APPLIANCES.

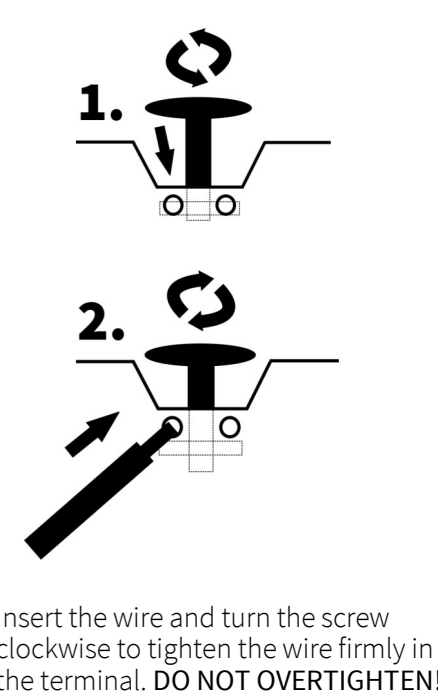
Canadian Electrical Code and all applicable local regulations.

5. Disconnect all wires from the old switch, labeling selected wires if necessary
6. Verify that you are dealing with **14 AWG copper wire** as this is the only approved type of wiring for this installation. If you have 12 AWG wiring in the box, you need to provide 14 AWG connection to the switch terminals
7. Connect the wires to the terminals of your new Z-Wave switch, starting with ground

ZOOZ TOGGLE SWITCH ZEN23 WIRING DIAGRAM FOR SINGLE-POLE INSTALLATION



- Make sure you insert the wires into dedicated terminals instead of wrapping them around the terminal screws.
- Hold the switch up so the screw stays down in place while you insert the wire.

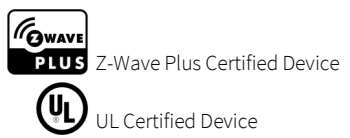
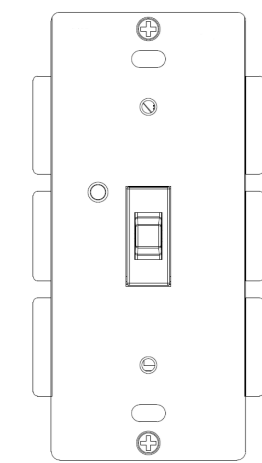


1. Loosen the terminal screws by carefully turning them counter clockwise to make space for the wire. **Do NOT unscrew them completely.**
2. Insert the wire and turn the screw clockwise to tighten the wire firmly in the terminal. **DO NOT OVERTIGHTEN!**

Always turn the screws **CLOCKWISE** to tighten the wires.



Z-WAVE TOGGLE SWITCH VER. 2.0 ZEN23



- Manual or remote on/off control from your mobile device or computer (when included to a Z-Wave gateway controller)
- Universal 3-way capability – works with existing 3-way switches as long as neutral is present
- Z-Wave Plus with improved 500 chip for faster and safer wireless communication
- Works with LED, CFL, and incandescent bulbs
- Remembers and restores on/off status after power failure
- Based on universal binary switch command class - supported by most Z-Wave controllers
- May be associated and grouped with other Z-Wave devices for advanced home automation
- Classic toggle design
- Built-in Z-Wave signal repeater for a stronger, more reliable network

Z-WAVE COMMAND CLASSES

This device requires the following command classes to be supported and recognized by your Z-Wave controller:

COMMAND_CLASS_ASSOCIATION_V2
 COMMAND_CLASS_ASSOCIATION_GRP_INFO
 COMMAND_CLASS_BASIC
 COMMAND_CLASS_CONFIGURATION
 COMMAND_CLASS_DEVICE_RESET_LOCALLY
 COMMAND_CLASS_MANUFACTURER_SPECIFIC
 COMMAND_CLASS_POWERLEVEL
 COMMAND_CLASS_SWITCH_ALL
 COMMAND_CLASS_SWITCH_BINARY
 COMMAND_CLASS_VERSION_V2
 COMMAND_CLASS_ZWAVEPLUS_INFO_V2

CAUTION

This is an electrical device - please use caution when installing and operating the on/off switch. Remote control of appliances may result in unintentional or automated activation of power. Do not use this Z-Wave device to control electric heaters or other appliances which produce the risk of fire, burns, or electrical shock when unattended.

INSTALLATION: PLEASE READ

WAIT! Make sure the load you are about to connect does not exceed 960W for incandescent lights, 150W for LED's/ CFL's, or 1800W (15A) for resistive loads. You need at least 15W on load for the switch to function correctly. **DO**

CAUTION

Do not insert 12 AWG wires into the terminals – this switch is rated for 15A only and should be wired with 14 AWG wires only.

POWER OFF FIRST!

Before you take out the old switch and start replacing it with your new Z-Wave device, turn the circuit power OFF in the breaker panel. The switch must be installed according to the standards of the National Electric Code in the United States or the

The below instructions are for single-pole installation only. If you are looking to install the switch as a 3-way, please turn the page to find the appropriate diagram.

1. Before you proceed, make sure power is OFF in the switch box
2. Take out the wall plate and mounting screws from the existing switch
3. Carefully remove the old switch from the gang box
4. Verify that you have identified the wiring in the switch box correctly and you are able to recognize the line, load, neutral, traveler, and ground –

Make sure you have identified all wiring correctly before connecting the switch. Load and line CANNOT be swapped. Neutral wire (most often white) is required for this device to function.

Please show this manual to your electrician to get them familiarized with Z-Wave switch wiring requirements.

WARNING

- This product should be installed indoors upon completion of any building renovations
- Prior to installation, the device should be stored in a dry, dust-and-mold-proof place
- Do not install the switch in a place with direct sun exposure, high temperature or humidity
- Keep away from chemicals, water, and dust
- Ensure the device is never close to any heat source or open flame to prevent fire
- Ensure the device is connected to an electric power source that does not exceed the maximum load power
- No part of the device may be replaced or repaired by the user

repeaters regardless of vendor to increase reliability of the network.

UL CERTIFIED
This is an UL certified device. UL, just like ETL, is a Nationally Recognized Testing Laboratory. The UL mark is proof of product compliance to North American safety standards.

WARRANTY
This Limited Warranty applies to physical goods, and only for physical goods, purchased from Zooz (the "Physical Goods").

What does this limited warranty cover?
This Limited Warranty covers any defects in material or workmanship under normal use according to instructions from the User Manual during the Warranty Period. Warranty coverage applies to purchases made from authorized dealers only. See full list of Zooz distributors here: getzooz.com/buy During the Warranty Period, Zooz will repair or replace, at no charge, products

parts of a product that prove defective because of improper material or workmanship, under normal use and recommended maintenance. Zooz does not assume the cost of return shipping for warranty service.

How long does the coverage last?
The Warranty Period for Physical Goods purchased from Zooz is 12 months from the date you purchased this product.

What does this limited warranty not cover?
This Limited Warranty does not cover any problem that is caused by:
 ▶ conditions, malfunctions or damage not resulting from defects in material or workmanship
 ▶ improper handling or installation of the product
 The warranty does not cover purchases from unauthorized dealers or second-hand sources. The warranty does not cover return shipping cost for warranty service.

What do you have to do?
To obtain warranty service, please contact us to determine the problem and offer a quick solution for you: warranty@getzooz.com You may also get in touch with the reseller of the product directly to return or replace the product within 30 days of purchase or within applicable reseller's return period.

IN NO EVENT SHALL ZOOZ OR ITS SUBSIDIARIES AND AFFILIATES BE LIABLE FOR ANY INDIRECT, INCIDENTAL, PUNITIVE, SPECIAL, OR CONSEQUENTIAL DAMAGES, OR DAMAGES FOR LOSS OF PROFITS, REVENUE, OR USE INCURRED BY CUSTOMER OR ANY THIRD PARTY, WHETHER IN AN ACTION IN CONTRACT, OR OTHERWISE EVEN IF ADVISED OF THE POSSIBILITY OF SUCH DAMAGES. ZOOZ'S LIABILITY AND CUSTOMER'S EXCLUSIVE REMEDY FOR ANY CAUSE OF ACTION ARISING IN CONNECTION WITH THIS AGREEMENT OR THE SALE OR USE OF THE PRODUCTS, WHETHER BASED ON NEGLIGENCE, STRICT LIABILITY, BREACH OF WARRANTY, BREACH OF AGREEMENT, OR EQUITABLE PRINCIPLES, IS EXPRESSLY LIMITED TO, AT ZOOZ'S OPTION, REPLACEMENT OF, OR REPAYMENT OF THE PURCHASE PRICE FOR THAT PORTION OF PRODUCTS WITH RESPECT TO WHICH DAMAGES ARE CLAIMED. ALL CLAIMS OF ANY KIND ARISING IN CONNECTION WITH THIS AGREEMENT OR THE SALE OR USE OF PRODUCTS SHALL BE DEEMED WAIVED UNLESS MADE IN WRITING WITHIN THIRTY (30) DAYS FROM ZOOZ'S DELIVERY, OR THE DATE FIXED FOR DELIVERY IN THE EVENT OF NONDELIVERY.

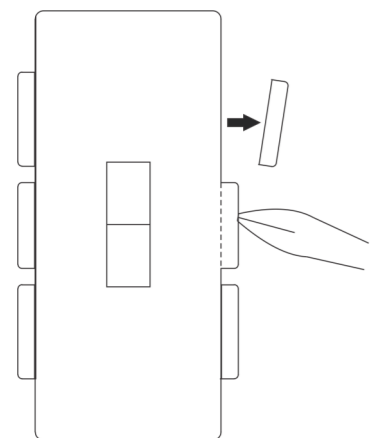
FCC NOTE
THE MANUFACTURER IS NOT RESPONSIBLE FOR ANY RADIO OR TV INTERFERENCE CAUSED BY UNAUTHORIZED MODIFICATIONS TO THIS EQUIPMENT. SUCH MODIFICATIONS COULD VOID THE USER'S AUTHORITY TO OPERATE THE EQUIPMENT. STORE INDOORS WHEN NOT IN USE. SUITABLE FOR DRY LOCATIONS ONLY. DO NOT IMMERSE IN WATER. NOT FOR USE WHERE DIRECTLY EXPOSED TO WATER. This device complies with Part 15 of the FCC Rules. Operation is subject to the following conditions:
 1. This device may not cause harmful interference.
 2. This device must accept any interference received, including interference that may cause undesired operation.
 This equipment has been tested and found to comply with the limits for a Class B digital device, pursuant to part 15 of the FCC Rules.
 These limits are designed to provide reasonable protection against harmful interference in a residential installation.
 This equipment generates, uses and can radiate radio frequency energy and, if not installed and used according to instructions, may cause harmful interference to radio communications.
 However, there is no guarantee that interference will not occur in any given installation.
 If this equipment causes harmful interference to radio or television reception, the user may try to correct the interference by taking one or more of the following measures:
 - Reorient or relocate receiving antenna
 - Increase the separation between equipment and receiver
 - Connect equipment into a separate outlet or circuit from receiver
 - Consult the dealer or an experienced radio/TV technician for additional assistance

All brand names displayed are trademarks of their respective holders.
© Zooz 2017

ask@getzooz.com
www.getzooz.com

8. Secure your Z-Wave switch in the box with mounting screws, handling the wires with care.

For multi-gang-box installation, you may need to break the side tabs off with pliers to fit the switch next to the neighboring switches



9. Install the wall plate with the included short screws

Now turn the power back on and test the device. First, see if you are able to control the light manually. Simply toggle the switch up (for ON) or down (for OFF).

- If the test fails, please check that:**
- power has been fully restored to the circuit
 - you have wired the switch exactly according to the instructions in this manual
 - the load type is supported by this device (see specifications for details)

WIRELESS CONTROL

Z-WAVE INCLUSION

1. Bring your Z-Wave gateway hub or controller as close to the switch as possible
2. Put your Z-Wave controller into inclusion mode
3. Toggle the switch **UP** 3 times very quickly to finalize the inclusion process
4. A new on/off device will appear on your controller's device list

TROUBLESHOOTING TIPS:
If you are unable to include the Z-Wave switch to your controller, please try one of the following:

- Bring the controller closer to your Z-Wave switch or use a hand-held secondary controller for inclusion
- Toggle your Z-Wave switch **UP** even quicker at least 5 or 7 times once you put the controller into inclusion mode to ensure the command has gone through
- Put your controller into **EXCLUSION** mode and toggle the switch **DOWN** 3 times quickly, then try adding it to your network again

Z-WAVE EXCLUSION

1. Bring your Z-Wave gateway hub or controller as close to the switch as possible
2. Put your Z-Wave controller into exclusion mode
3. Toggle the switch **DOWN** 3 times very quickly to complete the exclusion process
4. The device will disappear from your controller's device list

Please repeat the process following all steps carefully if the first attempt is unsuccessful.

FACTORY RESET

The switch will be reset to factory defaults only by exclusion using a Z-Wave controller. You may use any certified Z-Wave controller to exclude and reset the switch. This device may not be reset manually when the network's primary controller is missing or otherwise inoperable. NOTE: All previously recorded activity and custom settings will be erased from the device's memory.

ASSOCIATION

Once the Z-Wave switch is added to your network, you are able to turn the device on or off remotely from your mobile device, computer, or Z-Wave remote control. Depending on your Z-Wave gateway's home automation software capabilities, you may be able to associate your Z-Wave switch in groups with other Z-Wave devices to schedule scenes and

create events. This toggle on/off switch supports Group 1 with up to 5 devices for lifeline communication. This device will send BASIC REPORT to Group 1 when operated manually. Please refer to your controller's user guide for advanced programming instructions as they are a little different for each software.

ADVANCED SETTINGS

If your controller's software allows for advanced configuration and parameter adjustment, you will be able to change and save the settings below and customize the switch to serve your needs.

Toggle Control

Parameter 1: Choose if you want the to turn the light on by clicking the toggle up or down
 Values: 0 – Toggle up turns the light on, toggle down turns the light off (default);
 1 – Toggle up turns the light off, toggle down turns the light on
 Size: 1 byte dec.

Z-WAVE PLUS CERTIFIED

This product can be included and operated in any Z-Wave network with other Z-Wave certified devices from other manufacturers and/or other applications. All non-battery operated nodes within the network will act as