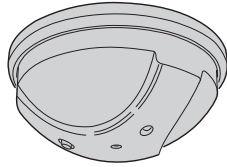


GB00Z

GoControl™



WIRELESS GLASS BREAK DETECTOR



Installation Instructions



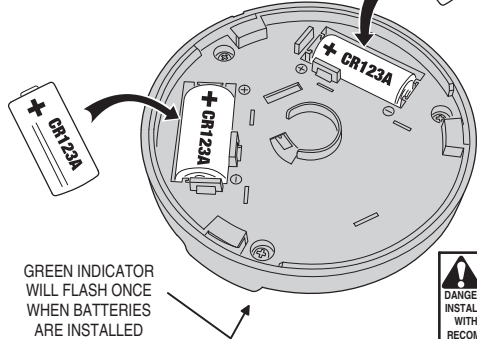
SECURITY & CONTROL
USA & Canada (800) 421-1587 & (800) 392-0123
(760) 438-7000 - Toll Free FAX (800) 468-1340
www.nortekcontrol.com

3 INSTALLING OR CHANGING BATTERIES

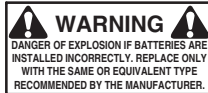
INSERT TWO
CR123A BATTERIES
INTO BATTERY
HOLDERS



OBSERVE
POLARITY !!!



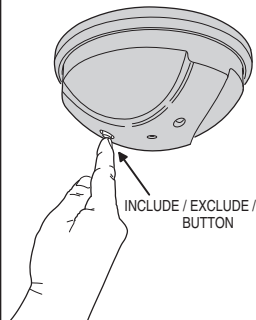
GREEN INDICATOR
WILL FLASH ONCE
WHEN BATTERIES
ARE INSTALLED



6 DETECTOR TESTING

THE GB00Z GLASS BREAK DETECTOR SHOULD BE TESTED AT ITS MOUNTED LOCATION WITH THE SYSTEM

METHODS FOR TESTING THE GB00Z GLASS BREAK DETECTOR WILL VARY DEPENDING ON THE MODEL OF THE Z-WAVE GATEWAY/CONTROLLER AND THE SYSTEM USED TO MONITOR THE DEVICE



INCLUDE / EXCLUDE / TEST
BUTTON

- 1 REFER TO THE SYSTEMS INSTRUCTIONS REGARDING TESTING THE GB00Z GLASS BREAK AFTER IT IS "PAIRED" WITH THE Z-WAVE GATEWAY/CONTROLLER
- 2 PRESS THE INCLUDE / EXCLUDE / TEST BUTTON THREE TIMES WHEN PROMPTED

1 PRODUCT DESCRIPTION

GB00Z Overview

- The GB00Z is a Glass break sensor/transmitter with built-in Z-Wave® technology.
- The sensor mounts on a wall or ceiling within 15 feet of the protected glass window(s).
- The detector is powered from two 3-Volt CR123A lithium batteries (included).
- Three screws and screw anchors are provided for mounting the detector.

GB00Z Summary of Operation

- The sensor uses dual-stage digital audio processing to detect the sound of breaking glass in a 360° area around the device.
- If breaking glass is detected, the sensor will send a signal to the Z-Wave gateway/controller.
- If the sensor's batteries are low, a low battery signal is sent to the Z-Wave gateway/controller.

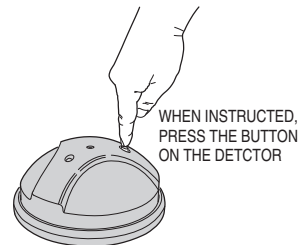
Z-Wave Information

- Z-Wave® is a registered trademark of Sigma Designs Inc. and/or its subsidiaries.
- Z-Wave is an Interoperable two-way RF mesh networking technology designed for use with a Z-Wave gateway/controller and other Z-Wave enabled devices.
- Replication is the process of copying or transferring your Z-Wave network from one controller to another.
- This product can be included and operated in any Z-Wave network with other Z-Wave certified devices from other manufacturers. All non-battery operated nodes within the network will act as repeaters, regardless of vendor, to increase network reliability.
- This device sends glass break events using the Sensor Alarm Command Class.
- ASSOCIATION: The GB00Z supports 1 Group with 1 Node. Group 1 must be assigned the Node ID of the controller to which unsolicited notifications from the GB00Z will be sent. The Z-Wave controller should set this association automatically after inclusion.

4 INCLUDING & EXCLUDING THE GB00Z

BEFORE THE SYSTEM WILL OPERATE, THE GB00Z GLASS BREAK DETECTOR MUST BE "PAIRED" WITH THE Z-WAVE GATEWAY/CONTROLLER

REFER TO THE INSTRUCTIONS SUPPLIED WITH THE Z-WAVE GATEWAY/CONTROLLER FOR PROGRAMMING DETAILS ON INCLUDING OR EXCLUDING THE GB00Z GLASS BREAK DETECTOR WITH THE SYSTEM



WHEN INSTRUCTED,
PRESS THE BUTTON
ON THE DETECTOR

Additional Z-Wave Information

Before adding the device to any Z-Wave network, or after removing it from any Z-Wave network, it is recommended that the GB00Z be reset. Reset the GB00Z by pressing the detector's button 5 times. The detector's green indicator will light for 3 seconds to show proper reset.

A simple press and release of the front button is used to include (green indicator blinks 3 times when complete), and the same to exclude (green indicator lights for 3 seconds when complete). The detector must be asleep for this action to take place.

Three presses will wake the device for five minutes so that you can begin any required network testing. You will see the green indicator blink three times to indicate it is awake for testing.

7 SPECIFICATIONS

Operating Temperature: 32° to 120° F (0° to 49° C)

Operating Relative Humidity: 5 to 95%, non-condensing

Operating Frequency: 908.42 MHz

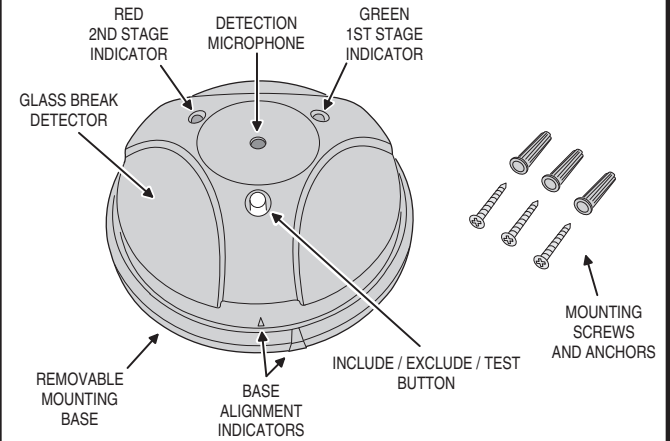
Battery Type: Two 3-Volt CR123A Lithium Batteries

Sensor Type: Single microphone, dual-stage (thud & crash)

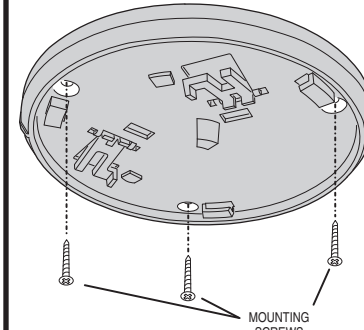
The minimum size for all glass types is 11" x 11" (28 cm x 28 cm) square. Glass must be framed, in a wall of the room or mounted in a barrier of 36" (91 cm) minimum width.

GLASS TYPE	MINIMUM TO MAXIMUM THICKNESS
PLATE	1/8" TO 1/4" (3.2 mm TO 6.4 mm)
TEMPERED	1/8" TO 1/4" (3.2 mm TO 6.4 mm)
SEALED, INSULATING	1/8" TO 1/4" (3.2 mm TO 6.4 mm)

2 FEATURES



5 MOUNTING THE DETECTOR



- 1 LOCATE THE DETECTOR ON THE ADJACENT OR OPPOSITE WALL OR ON THE CEILING WITHIN 15 FEET OF THE WINDOW BEING PROTECTED
- 2 USE THE MOUNTING BASE AS A TEMPLATE TO MARK THE LOCATION OF THE THREE MOUNTING HOLES
NOTE: WHEN WALL MOUNTING, ORIENT THE TEST BUTTON DOWN
- 3 DRILL 3/16" PILOT HOLES FOR THE SCREW ANCHORS AND PUSH THE ANCHORS INTO THE HOLES
- 4 ATTACH THE MOUNTING BASE WITH THE THREE SCREWS
- 5 ATTACH THE DETECTOR TO THE BASE, MATCH THE ALIGNMENT MARKS AND TURN CLOCKWISE

NOTE: IF THE BATTERIES ARE NOT INSTALLED, THE DETECTOR WILL NOT ALLOW MOUNTING TO THE BASE

LIMITED RETAIL WARRANTY

Nortek Security & Control LLC (the Company) warrants to the original purchaser that products delivered hereunder will be free of defects in materials and workmanship for a period of one (1) year from the date of purchase.

The Company within said period shall at its option, either repair or replace free of charge, any product or part thereof found, upon the Company's inspection, to be so defective, and will return the repaired or replaced product to the purchaser at Company's expense.

All products returned for warranty service require a Return Product Authorization Number (RPA#). For warranty service, shipping instructions, and an RPA#, contact Returns at 1-855-546-3278. Devices must be sent to the Company at owner's expense and be accompanied with statement of defect and proof of purchase.

This warranty is conditioned on the following:

1. The Company must be notified within one year of purchase and have been given the opportunity of inspection by return of any alleged defective product free and clear of all liens and encumbrances to the Company or its distributor; and
2. The product must not have been abused, misused or improperly maintained and/or repaired during such period; and
3. Such defect has not been caused by corrosion or exposure to other than ordinary wear and tear.

THE COMPANY MAKES NO OTHER WARRANTY OR REPRESENTATION OF ANY KIND WHATSOEVER INCLUDING ANY WARRANTY OF MERCHANTABILITY OR FITNESS FOR A PARTICULAR PURPOSE ARE HEREBY DISCLAIMED.

The Company's maximum liability hereunder is limited to the purchased price of the product. In no event shall the Company be liable for any consequential, indirect, incidental or special damages of any nature arising from the sale or use of the product, whether based in contract, tort, strict liability or otherwise.

Note: Some states do not allow limitations on incidental or consequential damages or how long an implied warranty lasts, so that the above limitations may not fully apply. This warranty gives specific legal rights and you may also have other rights which may vary from state to state.

This device complies with FCC Part 15 and Canada Rules and Regulations. Operation is subject to the following two conditions: (1) This device may not cause harmful interference and (2) this device must accept any interference received, including interference that may cause undesired operation.

Le présent appareil est conforme aux CNR d'Industrie Canada applicables aux appareils radio exempts de licence. L'exploitation est autorisée aux deux conditions suivantes: (1) l'appareil ne doit pas produire de brouillage, et (2) l'utilisateur de l'appareil doit accepter tout brouillage radioélectrique subi, même si le brouillage est susceptible d'en compromettre le fonctionnement.